

Insert compatible with the game:

# PALEO

Please remove elements out of frame carefully.

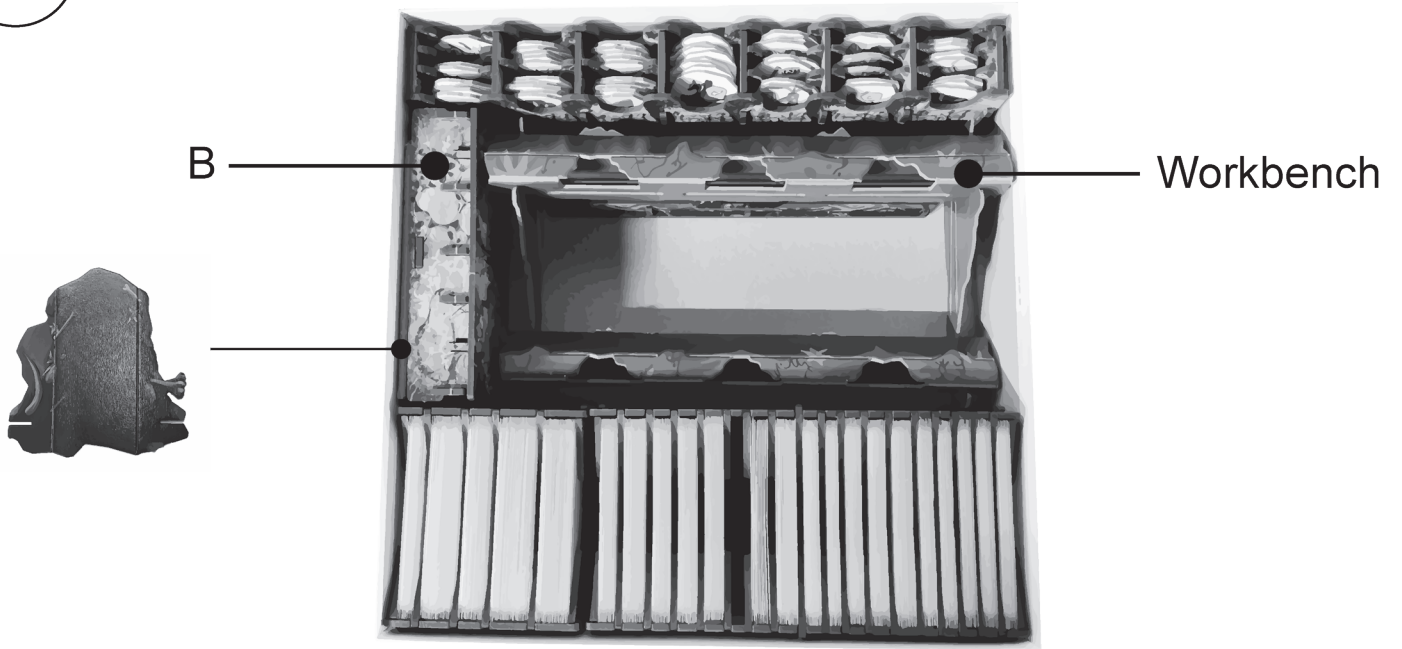
It is recommended to use a blade at the cutline to punch the element out of the sheet easier.

Assemble based on element letter.  
Then from number first to last.

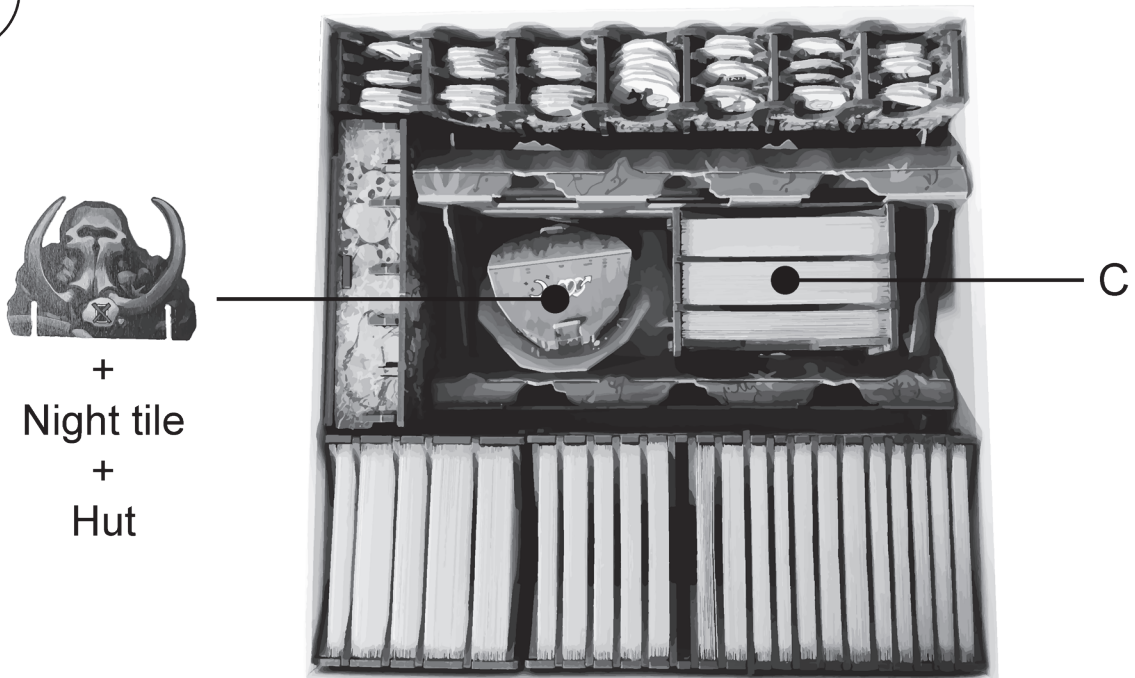
1

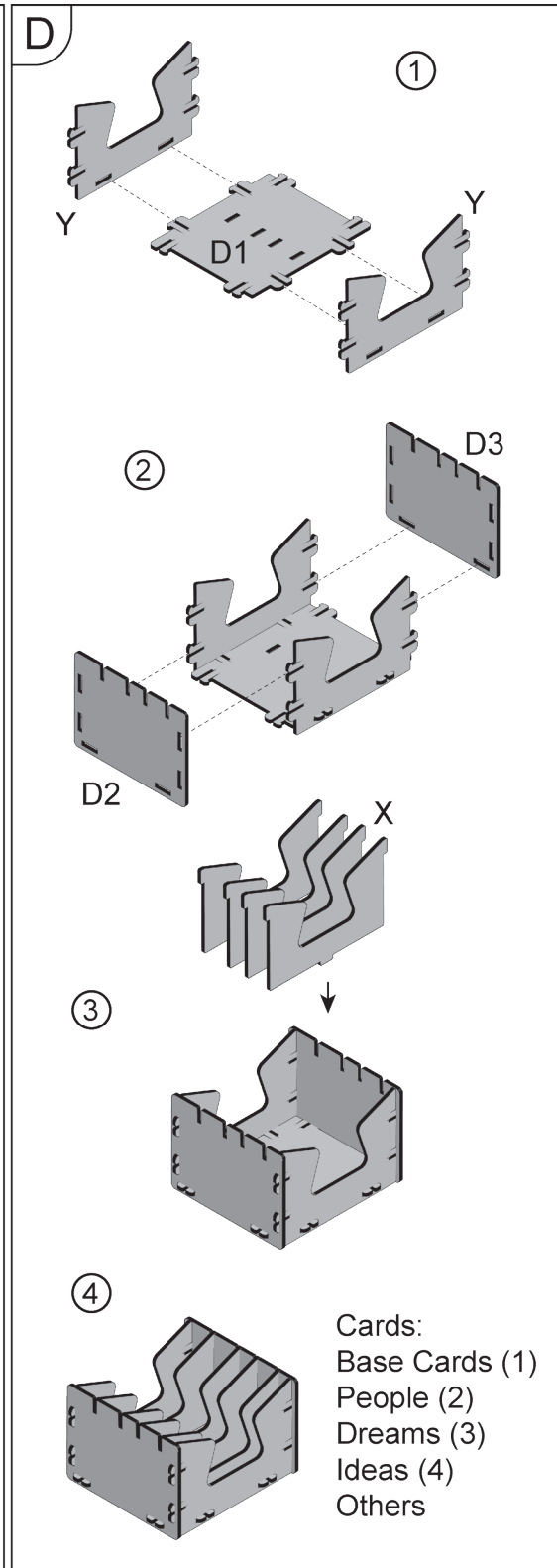
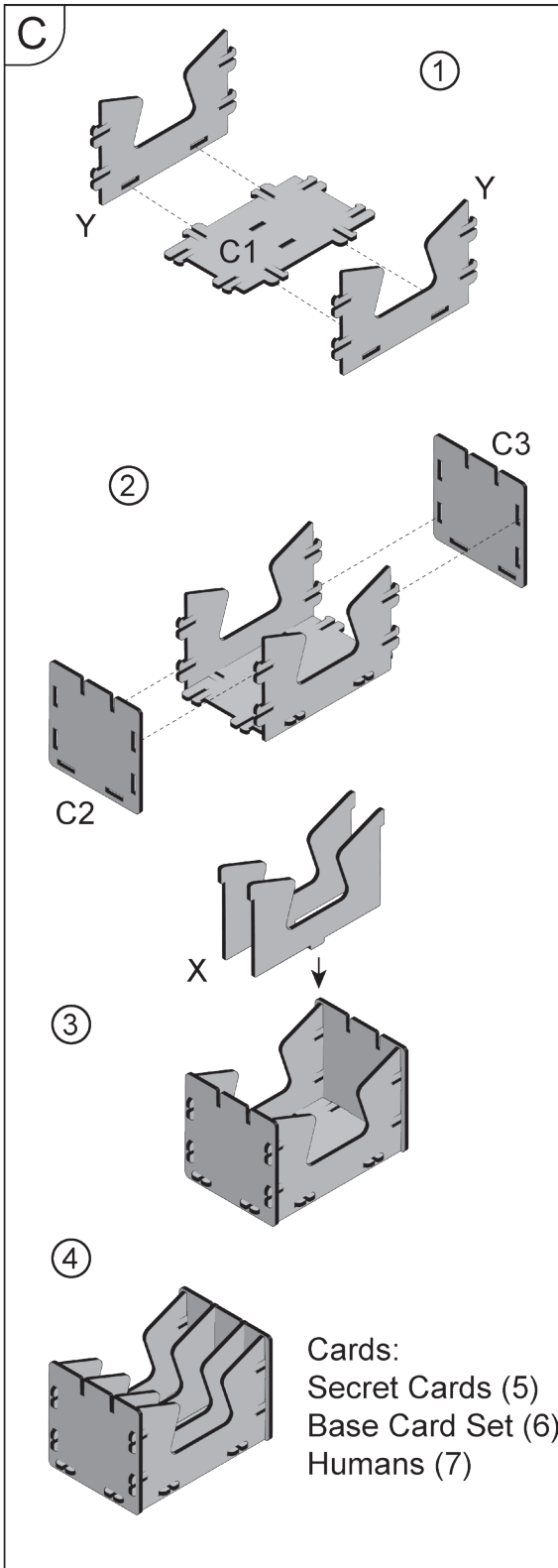
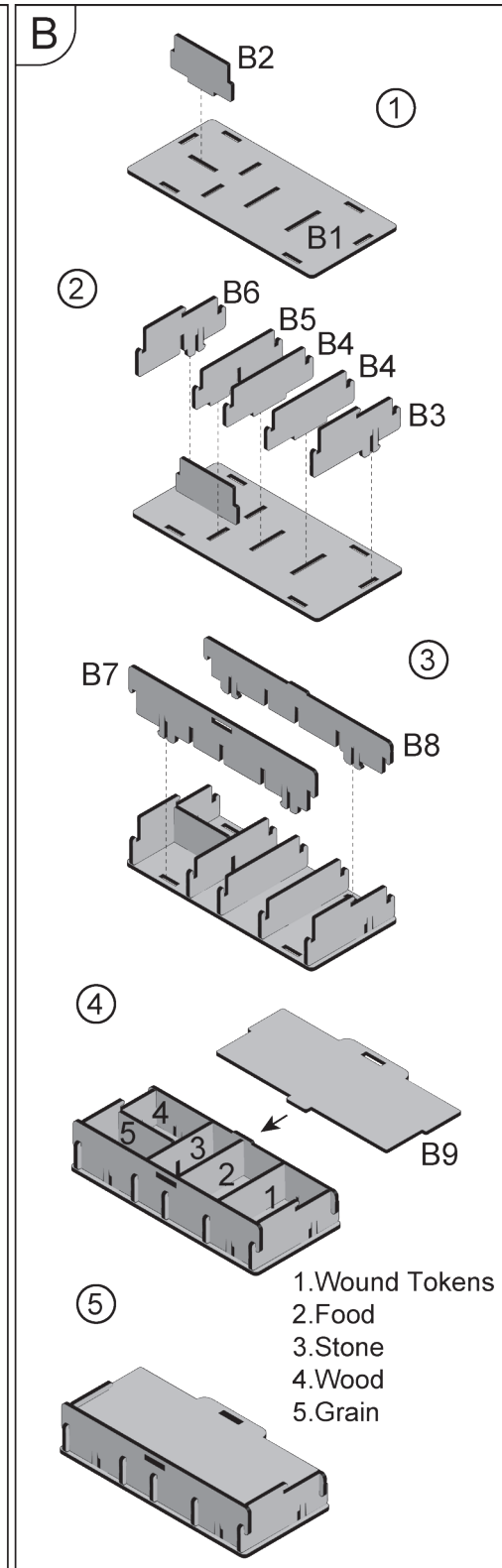
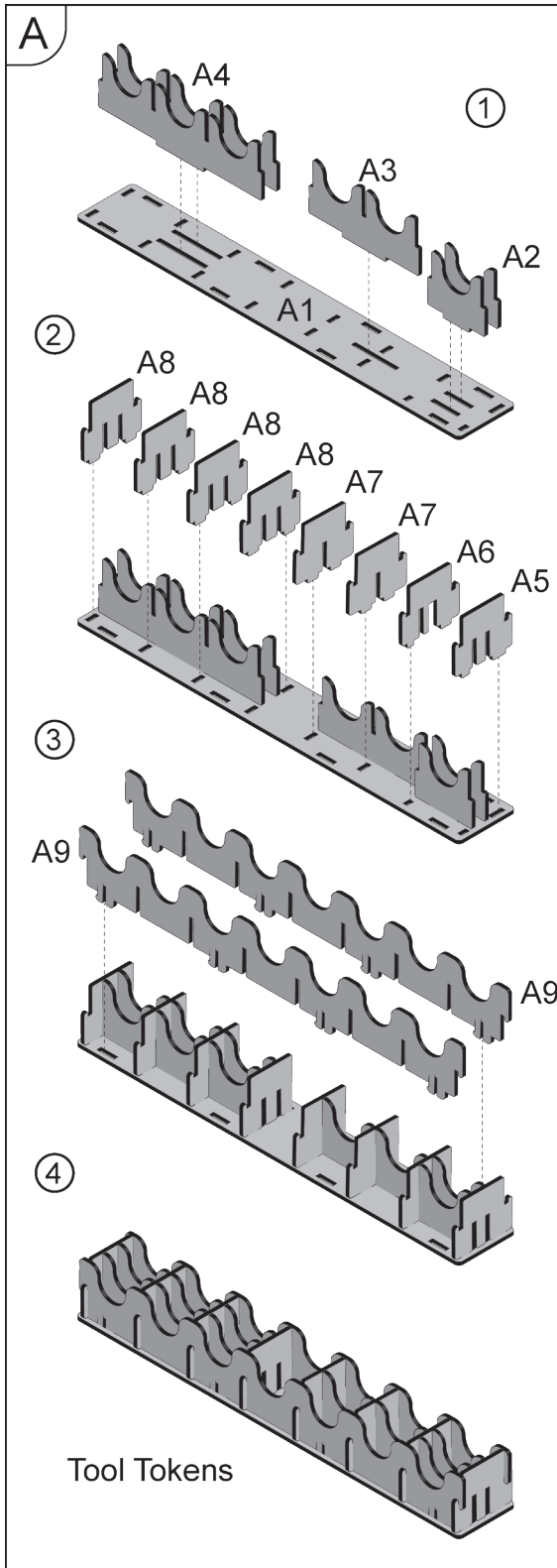


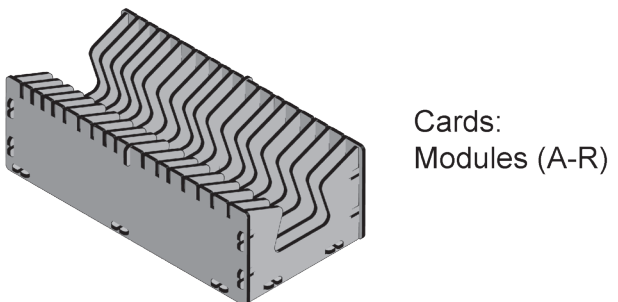
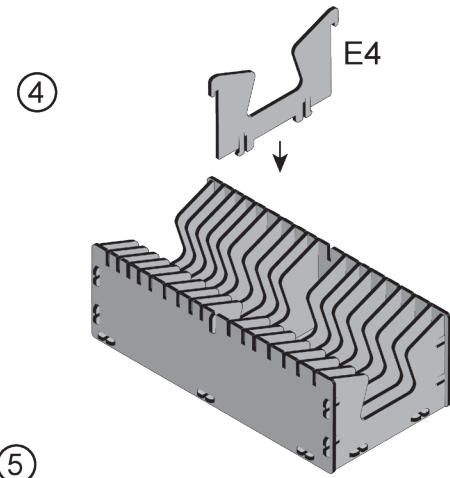
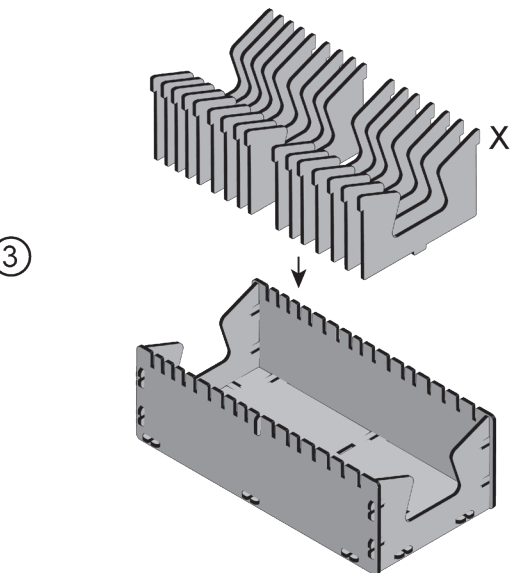
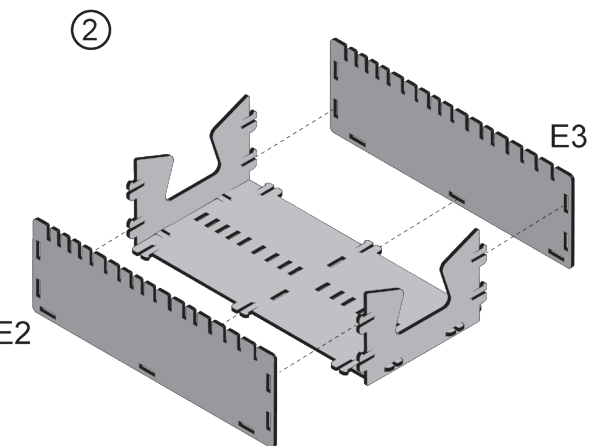
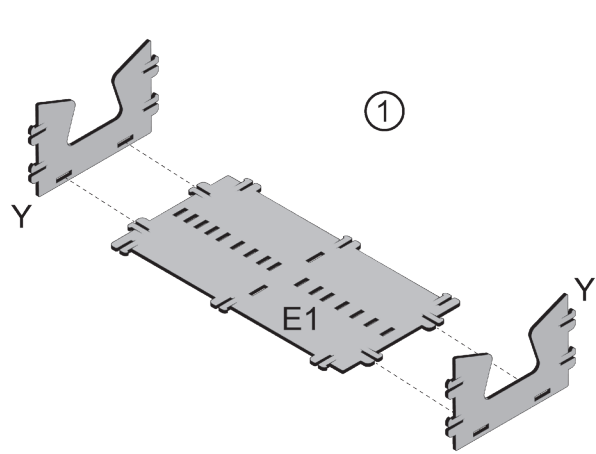
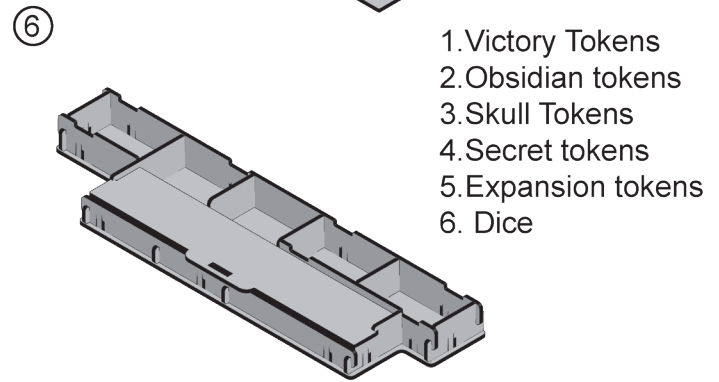
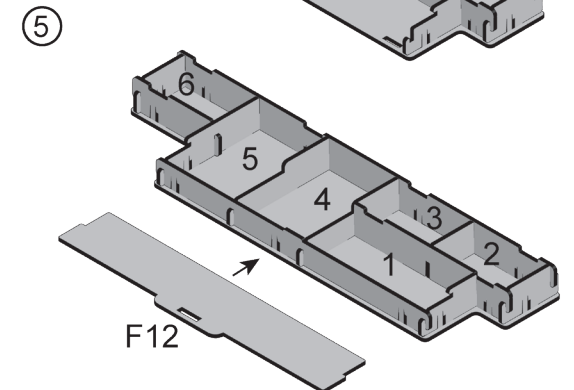
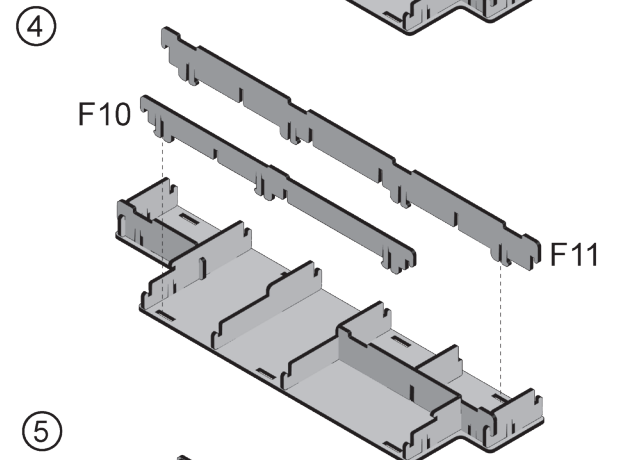
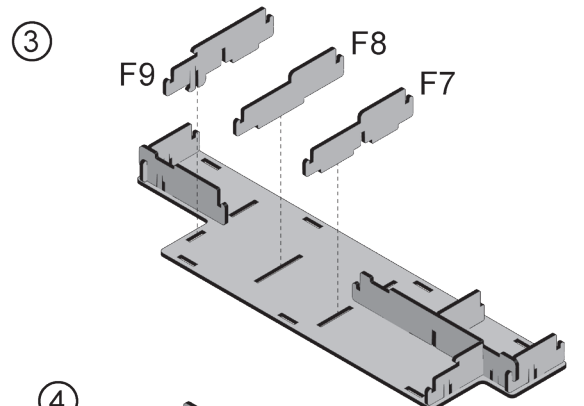
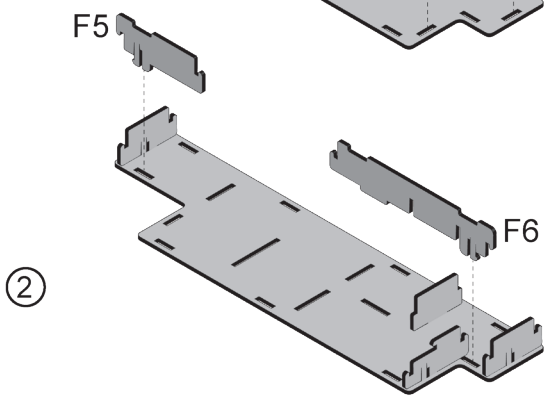
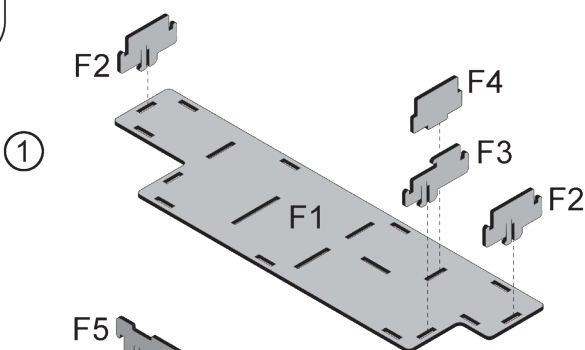
2



3





**E****F**

1. Victory Tokens
2. Obsidian tokens
3. Skull Tokens
4. Secret tokens
5. Expansion tokens
6. Dice