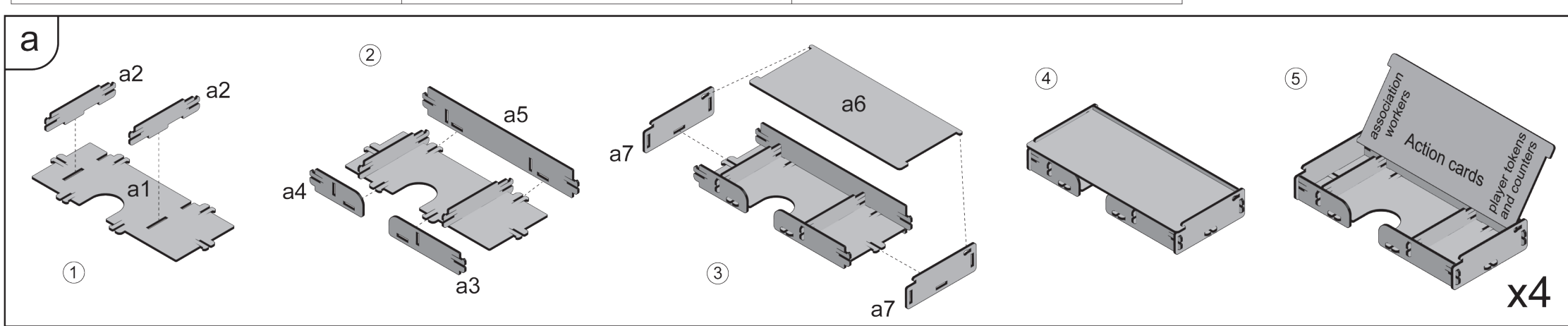


Please remove elements out of frame carefully.  
 It is recommended to use a blade at the cutline to punch the element out of the sheet easier.

Assemble based on element letter.  
 Then from number first to last.

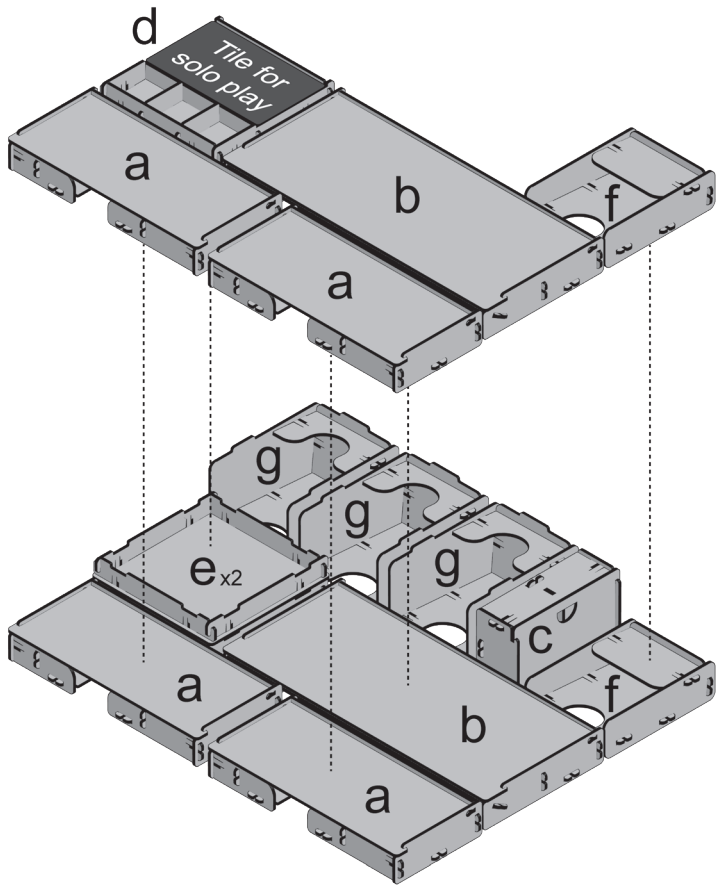
Insert compatible with the game:

# ARK NOVA

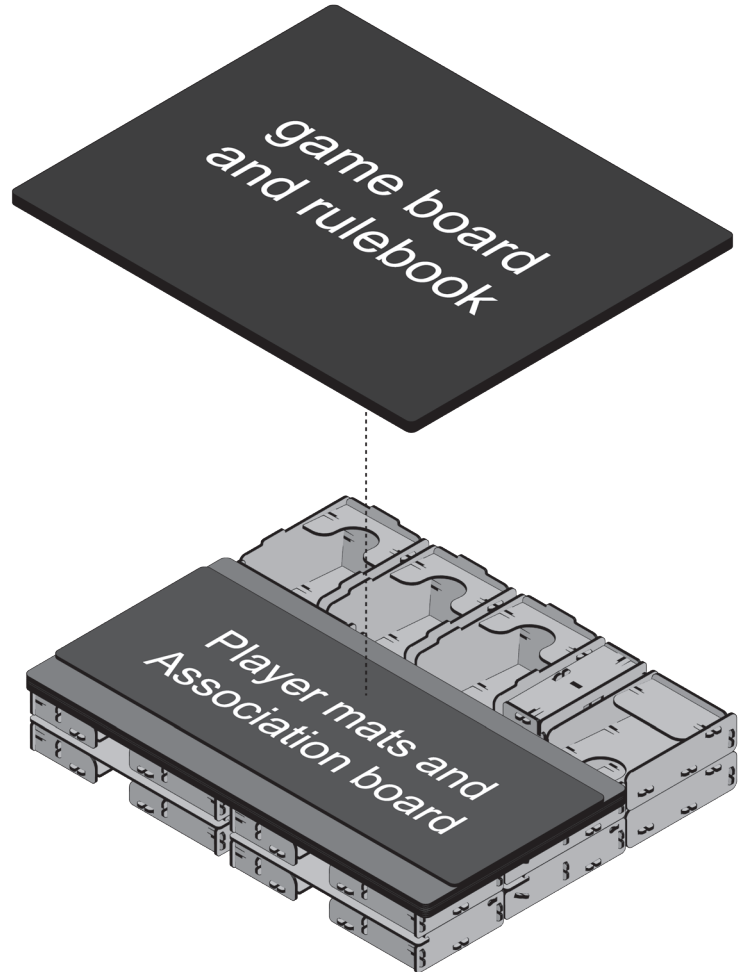


# IN BOX

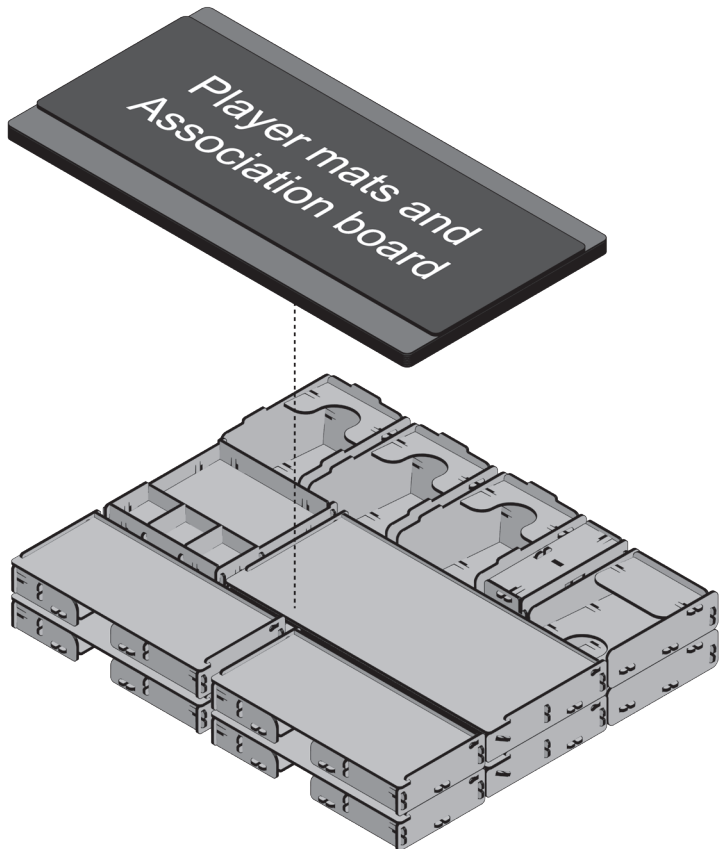
1



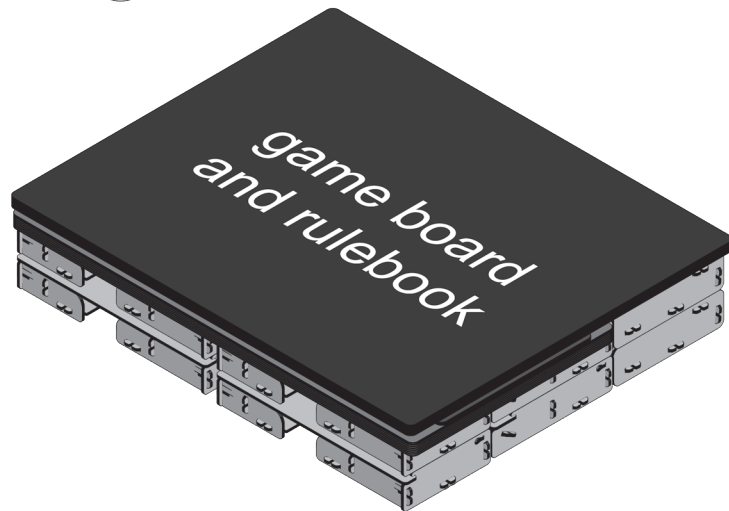
3

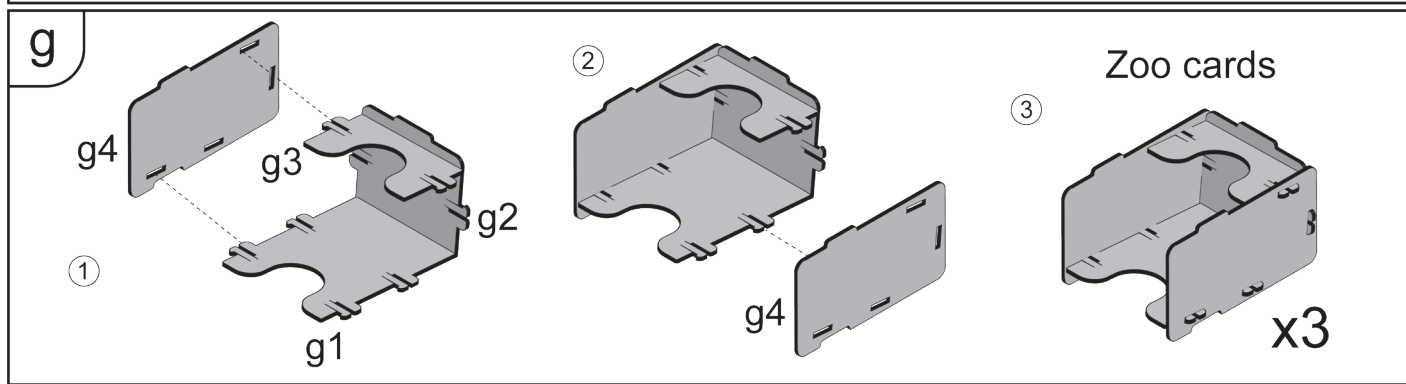
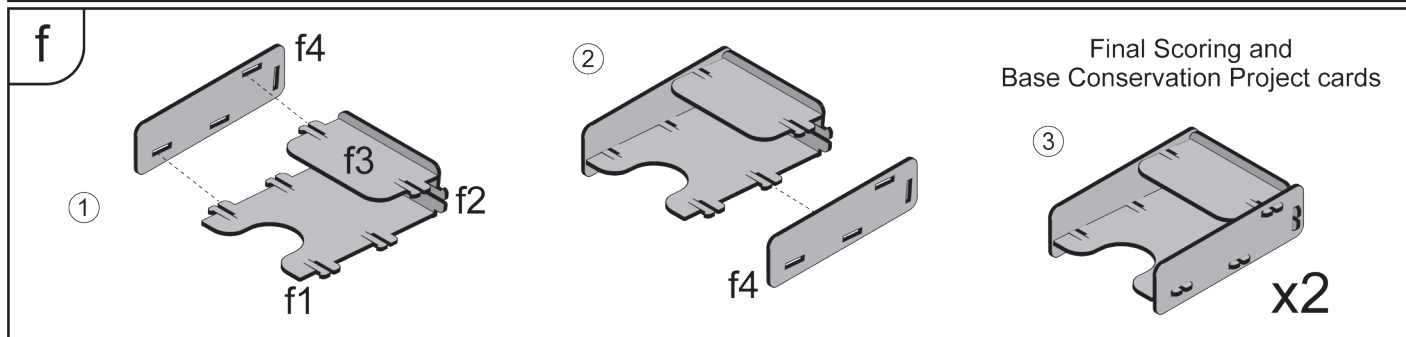
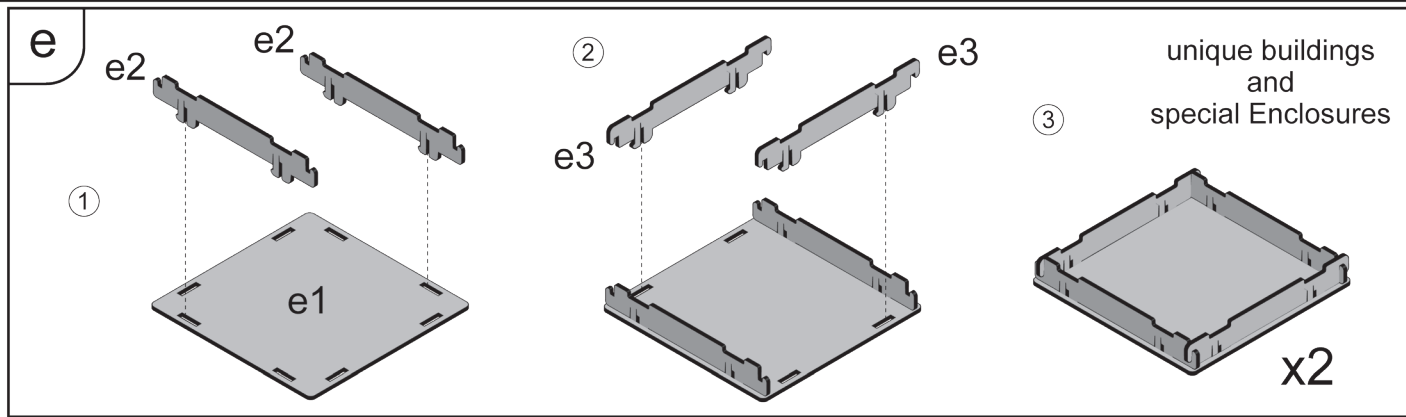
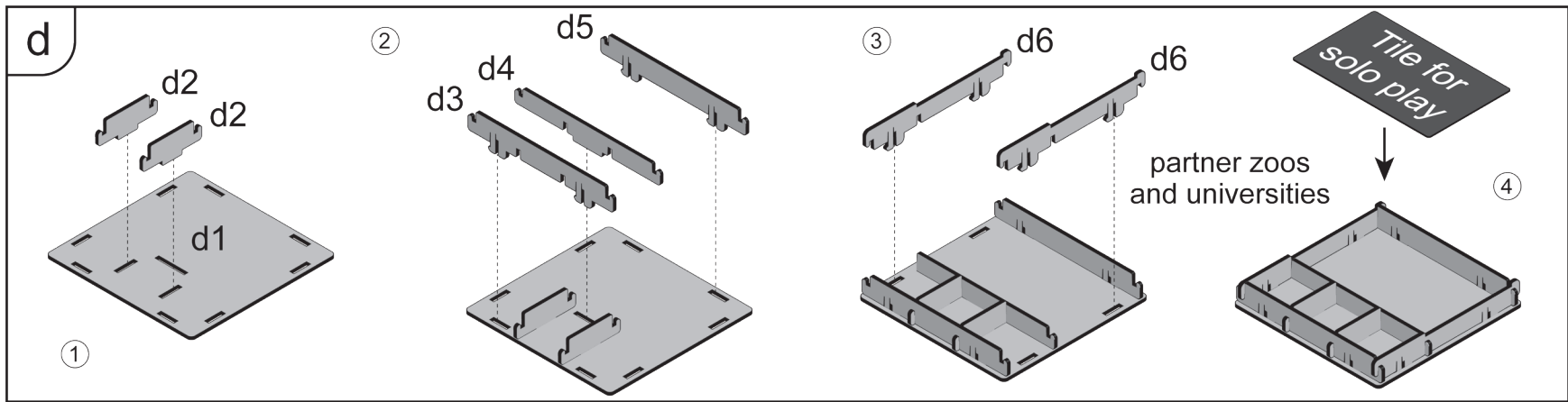


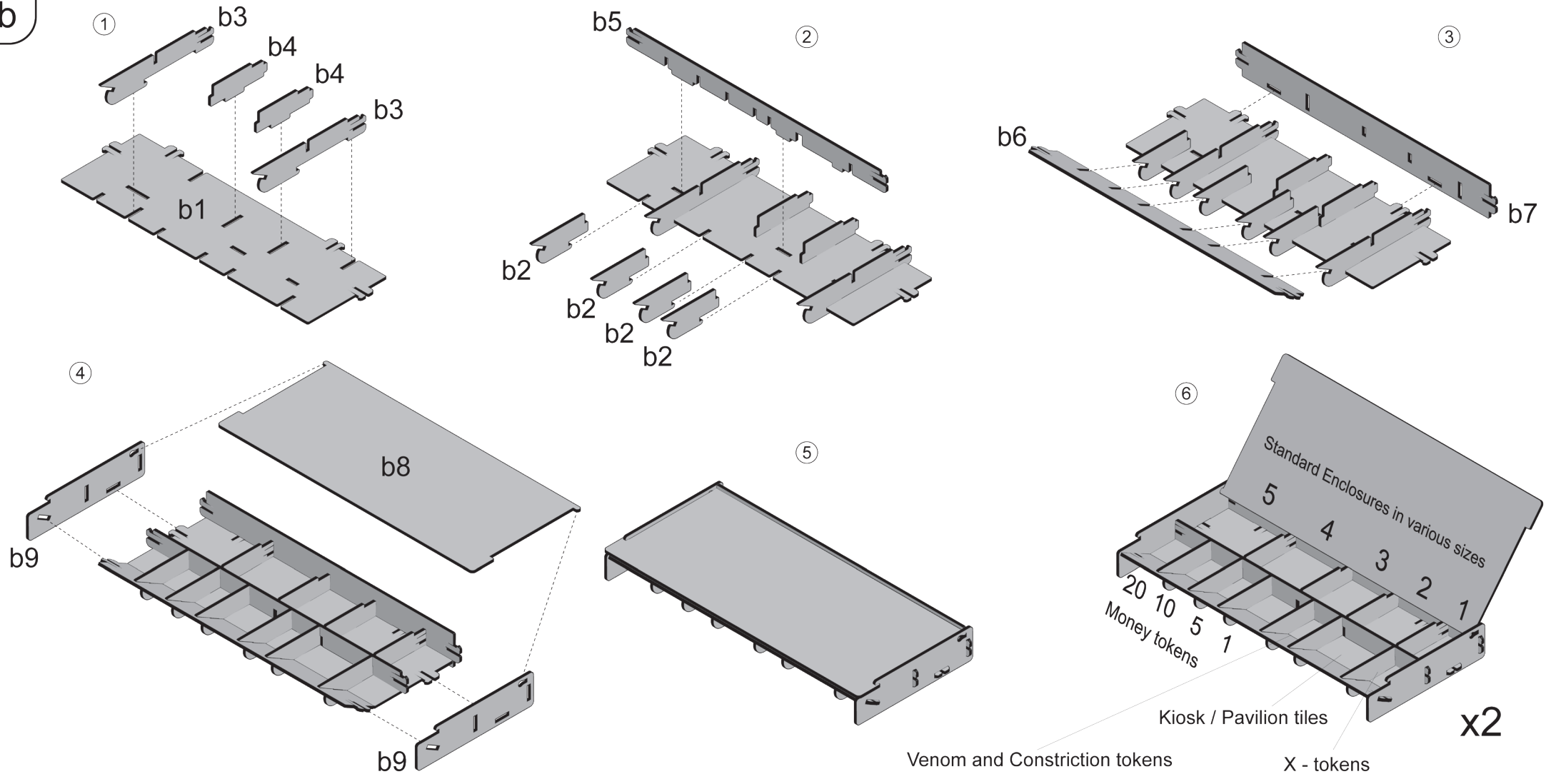
2



4





**b****c**